

**BAHAMA<sup>®</sup>**

LARGE-SIZE parasols  
for Kindergartens, Playgrounds & Schools





# Bahama

Founded in 1950 today Bahama designs and manufactures a great variety of high-quality large-size parasols. National and international customers alike trust in our industrial technology and accurate workmanship. The premium products from Bahama characteristically stand for technical attributes like compactness, durability and wind stability but also for aesthetical features like beautiful designs and materials.

»Made in Germany« – our full range production facility manufactures nearly all parts in house. Bahama further processes sustainable and environmentally friendly materials according to the OEKO-TEX 100 standard, Class 1. The combination of high-quality materials and the structural features allows Bahama to guarantee wind stability for its products, depending on the model, of up to 130 km/h.

**And most importantly: we love customer service** – from consulting to installation, from cleaning to winter storage and maintenance.

**Just get to know us!**

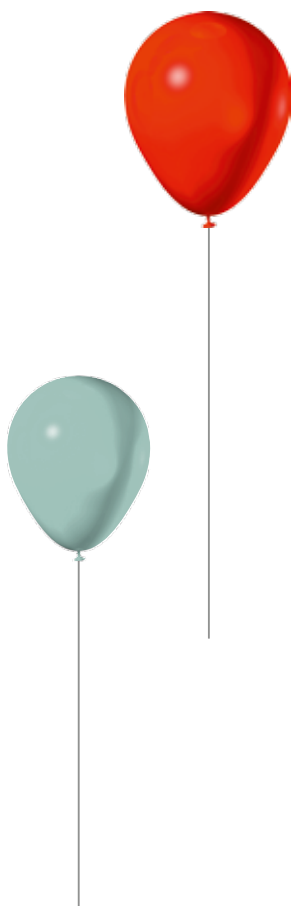
## For Children's Safety

Whether in rainy autumn weather or on a bright sunny day: children need as many opportunities as possible to play outside or dream up castles in a sandbox.

When playing it is easy for children to overlook the center pole of a parasol. To prevent unnecessary tears from falling the impact protector, which is wrapped around the pole, absorbs the force reducing the risk of injury. Even the in-ground installation, which was especially designed for sandboxes, disappears deep beneath the sand also protecting the children from injury. Digging deep and playing under a parasol is possible without the danger of getting hurt or tripping.

Every season bears risks and young children have particularly sensitive skin – especially with regards to UV radiation. Children's natural UV-protection only develops gradually in the early years of life. Even on a cloudy day up to 80 percent of the UV radiation passes through to the skin. Often natural protection like shady trees is missing at kindergartens or on playgrounds.

This is where large Bahama parasols offer reliable sun protection. And even a rainy day can't dampen children's enthusiasm for the great outdoors.



## DIN and EN Standards

German DIN standards or European EN Standards are references, i.e. »private guidelines based on recommendations«, which are often relevant when it comes to questions of insurance and liability. Such standards are based on the secured results from science, technology and experience.

There are German as well as EU standards (DIN EN 1176) for outside playing areas that regulate the safety requirements of on-site equipment. Subject to these are playgrounds, kindergartens, schools and similar facilities as well as private settings such as outdoor restaurants and housing complexes. Bahama large-size parasols don't count as conventional playing equipment, nevertheless they are an important part of the design of a playing area.

Bahama large-size parasols with their installation options comply with these safety requirements – especially for sandboxes buried beneath the ground to eliminate the risk of tripping. Even little fingers can't get pinched in the spring buckle in the handle on the pole. The technology for opening and closing is therefore safer than those of common large-size parasols with cranks and their insertion holes.



With regards to »sun protection« there are no legally binding regulations concerning the above mentioned outside areas. However, persons in charge, like supervisors or teachers, are obligated to protect the children entrusted to them from every form of danger and injury. UV radiation harbors a high risk of sunburns and an increased risk of skin cancer as well as allergies and sunstroke. Sun protection for children and infants must, therefore, be given extra special attention.



Based on the existing safety standards, but also with regards to other potential safety hazards like UV radiation, special Bahama models have been designed with children's safety in mind. They fulfill special criteria: to reliably protect children, to support supervisory personnel during their daily work and to give parents a good feeling. And next to all these safety aspects the large-size parasols create a beautiful atmosphere so playing is even more fun.

# The Heart of it All

Bahama large-size parasols display excellent features for outside playing areas:

- ✿ The textile fabric used has been approved according to UV standards and has an “excellent” dermatological UV sun protection factor (according to DIN EN 13758)
- ✿ UPF 50+ allows less than one fiftieth (< 2%) of the UV radiation through the textile membrane and onto the skin.
- ✿ High wind stability with the corresponding safety
- ✿ Standard complying installation options without tripping hazards, also especially for sandboxes
- ✿ Well-cushioned and visible impact protection around the pole (soft foam safeguard with Velcro fastener)
- ✿ Quick and easy opening and closing
- ✿ Tension latches with spring buckles for opening and closing instead of a crank; no trap for pinching fingers (relevant for safety requirements and standards)
- ✿ Cylindrical lock in the tension latches prevents unauthorized opening and closing, especially by children
- ✿ Textile membrane with the OEKO-TEX 100 Standard, Class 1 for environmental protection and sustainability
- ✿ Absolutely waterproof, dirt-repellant and washable textile membrane



## UV Protection

Analogous to the sun protection factor/SPF all textiles are labeled with the ultraviolet protection factor/UPF. Built into the fabric it protects against hazardous UV radiation.

Bahama uses the fabric brand betex®05 for the production of its parasol textile membranes. This material fulfills the requirements for UPF50+, which indicates an »excellent« dermatological UV protection factor according to DIN EN 13758 and allows less than one fiftieth (<2%) of the UV radiation through the textile membrane onto the skin.

## OEKO-TEX 100

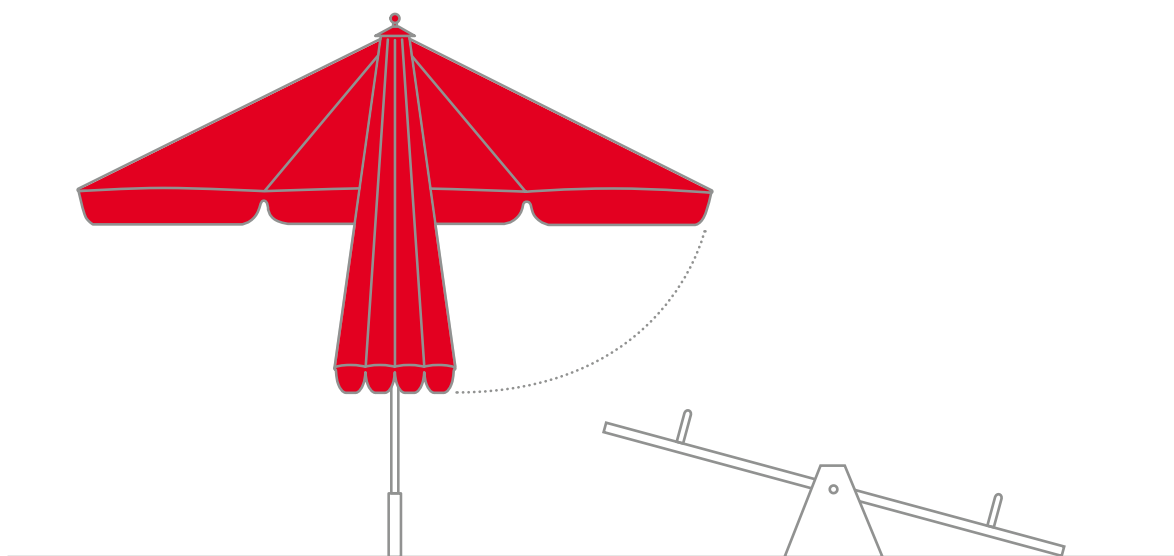
At first it may seem a bit far-fetched to consider producing children's coats from parasol fabric. At the same time the textile membranes produced exclusively for Bahama all carry the Class 1 OEKO-TEX 100 standard. Class 1 complies with the standards for baby clothing with direct skin contact. Even when children don't have direct skin contact with the parasol, environmental compatibility and sustainability do affect them.

## Impact Protection

Metal or soft padding? Some questions answer themselves, when it comes to eliminating children's risk of hurting themselves. The colorful impact protection in playing height ensures this doesn't happen. It surrounds the stable metal pole of the parasol with a soft foam safeguard.



## Ground Clearance



Depending on the size, Bahama parasols offer sufficient ground clearance

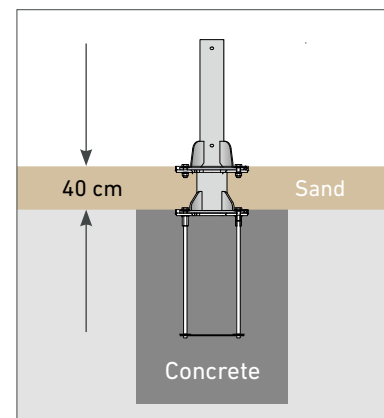
# Installation Options

A number of mobile and stationary installation options are available. All Bahama installation options will adequately secure the parasol.

Sleeve for installation, for example, in sandboxes (complies with DIN EN 1176)

Permanent with in-ground sleeve or semi-permanent with on-ground steel plate

Mobile with a cross-frame for flagstones



# Wind Stability

Strong gusts of wind don't announce their coming, they surprise you. The combination of high-quality materials and structural features make Bahama's large-size parasols especially sturdy. Greater sturdiness also means better stability making them safer at the same time.

Depending on the installation type and size of parasol:

<b>Event</b>	up to max. wind force 10   95 km/h
<b>Jumbrella</b>	up to max. wind force 10   102 km/h
<b>Jumbrella XL</b>	up to max. wind force 11   110 km/h

# Suitable Models

## Easy

Entry-level model

Easy to transport

Ideal for changing locations

## Event

Good price-to-performance ratio

Entry-level model with maintenance-free servo-mechanism

## Jumbrella

Bahama's most successful model

The solution for everything with a large selection of sizes, combinations and optional features

## Jumbrella XL

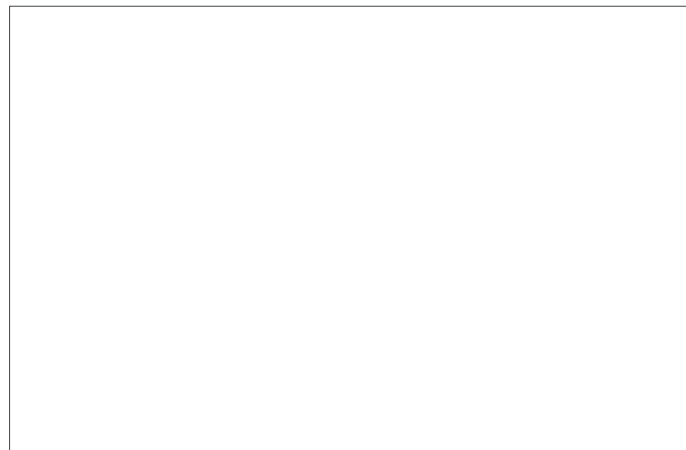
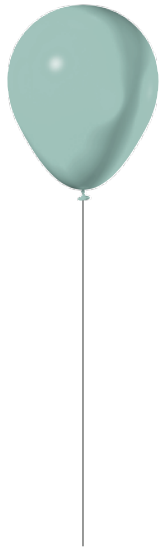
Stands for "extra-large" – possible covered area 25 – 37 m<sup>2</sup>

Suitable for all extreme conditions

## Sizes



	round	square	rectangular
Easy	ø 3.1 m + 4.0 m (7.5 + 11.8 m <sup>2</sup> )	3.1 m + 4.0 m (9.6 + 16 m <sup>2</sup> )	–
Event	ø 3–5 m (7–19 m <sup>2</sup> )	2.5–4 m (6.2–16 m <sup>2</sup> )	–
Jumbrella	ø 4–7 m (12–36 m <sup>2</sup> )	3–5 m (9–25 m <sup>2</sup> )	4 × 3 m, 5 × 3.75 m, 6 × 4.5 m (12–27 m <sup>2</sup> )
Jumbrella XL	ø 7 m (37 m <sup>2</sup> )	5–6 m (25–36 m <sup>2</sup> )	–



**BAHAMA®**