

ACCESSORIES



base frames

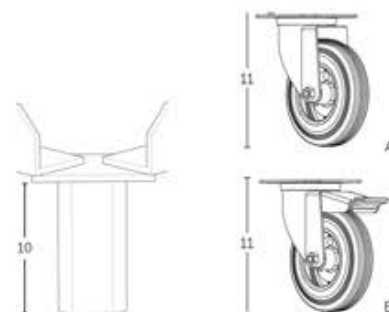
- bases of cataphoretic and varnished steel

estructuras bases

- base en acero galvanizado pintado

armatures pour bases

- bases en acier galvanisé et laqué



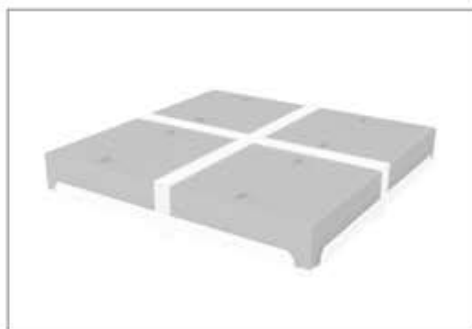
art.	mod.	base	weight	each	extensions	wheels
art. B20	efesto-diomedea	115x76x10 h cm	kg. 24,00	€ 364,00	-	-
art. B21	adone-olimpo	107x107x19 h cm	kg. 42,00	€ 568,00	€ 122,00 (8 pcs)	4A + 4B = € 248,00
art. B22	minosse	85x85x14,5 h cm	kg. 24,00	€ 427,00	€ 122,00 (8 pcs)	4A + 4B = € 248,00

plates | dalles pesos

- squared cement plates
- dalles en béton carrées
- pesos en cemento cuadrados

base covers | couverture des bases coberturas para bases

- base covers of cataphoretic and varnished steel
- couverture des bases en acier galvanisé et laqué
- coberturas de bases de acero galvanizado pintado



art.	plate	weight	each
art. B30	50x50x10 h cm	kg. 60,00	€ 37,00

mod. efesto-diomedea

art.	plate	weight	each
art. B31	50x50x7 h cm	kg. 42,00	€ 36,00

mod. adone-olimpo

art.	plate	weight	each
art. B32	40x40x8,5 h cm	kg. 32,00	€ 33,00

mod. minosse



art.	base cover	weight	each
art. B40	116x54x22 h cm	kg. 18,00	€ 375,00

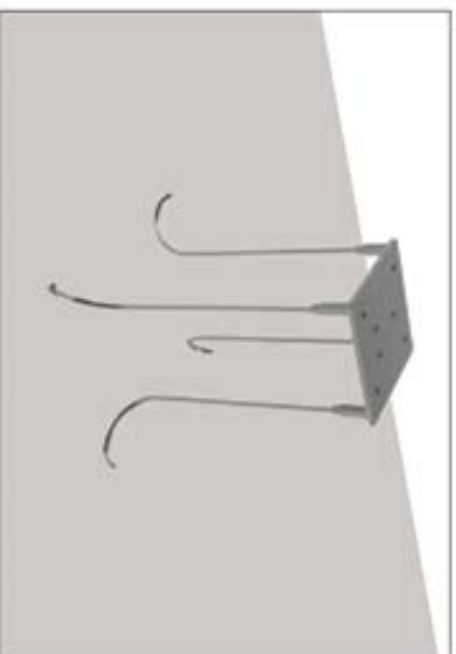
mod. efesto-diomedea

art.	base cover	weight	each
art. B41	110x110x15 h cm	kg. 32,00	€ 426,00
art. B42*	110x110x24 h cm	kg. 39,00	€ 485,00

mod. adone-olimpo
* for 12 plates only

art.	base cover	weight	each
art. B43	88x88x10 h cm	kg. 26,00	€ 310,00

mod. minosse



art.	weight	each
art. B57	kg. 5,50	€ 105,00
mod. efesto - diomede - 18x21x55 h cm		
art. B58	kg. 10,00	€ 163,00
mod. olimpo - 30x30x55 h cm		
art. B60	kg. 5,00	€ 98,00
mod. minosse - 20x20x55 h cm		
art. B63	kg. 5,00	€ 102,00
mod. pan - 20x20x55 h cm		